

LIGHTING FIXTURE INSTALLATION GUIDE

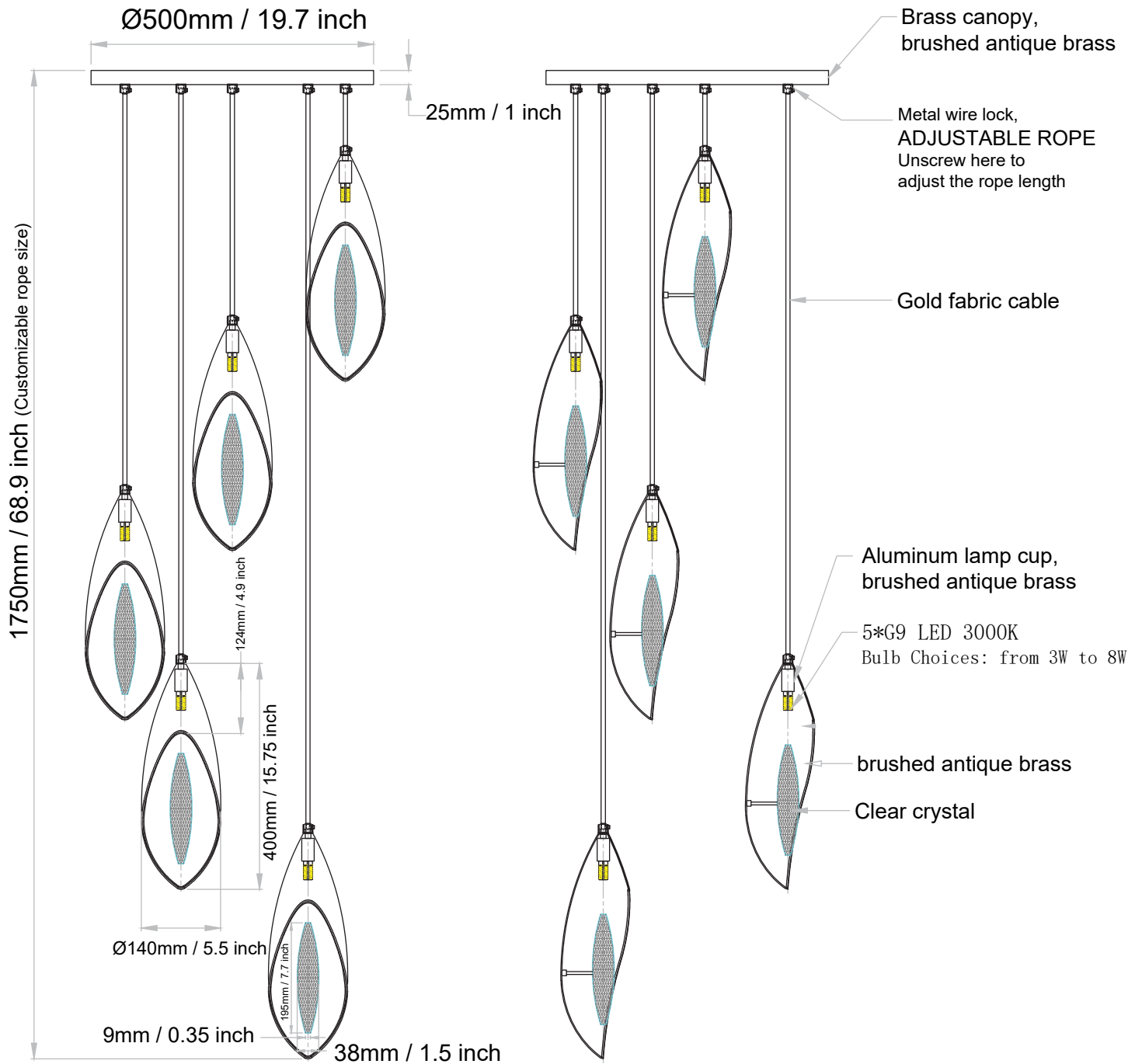
Model LI-PE5

DAINTE

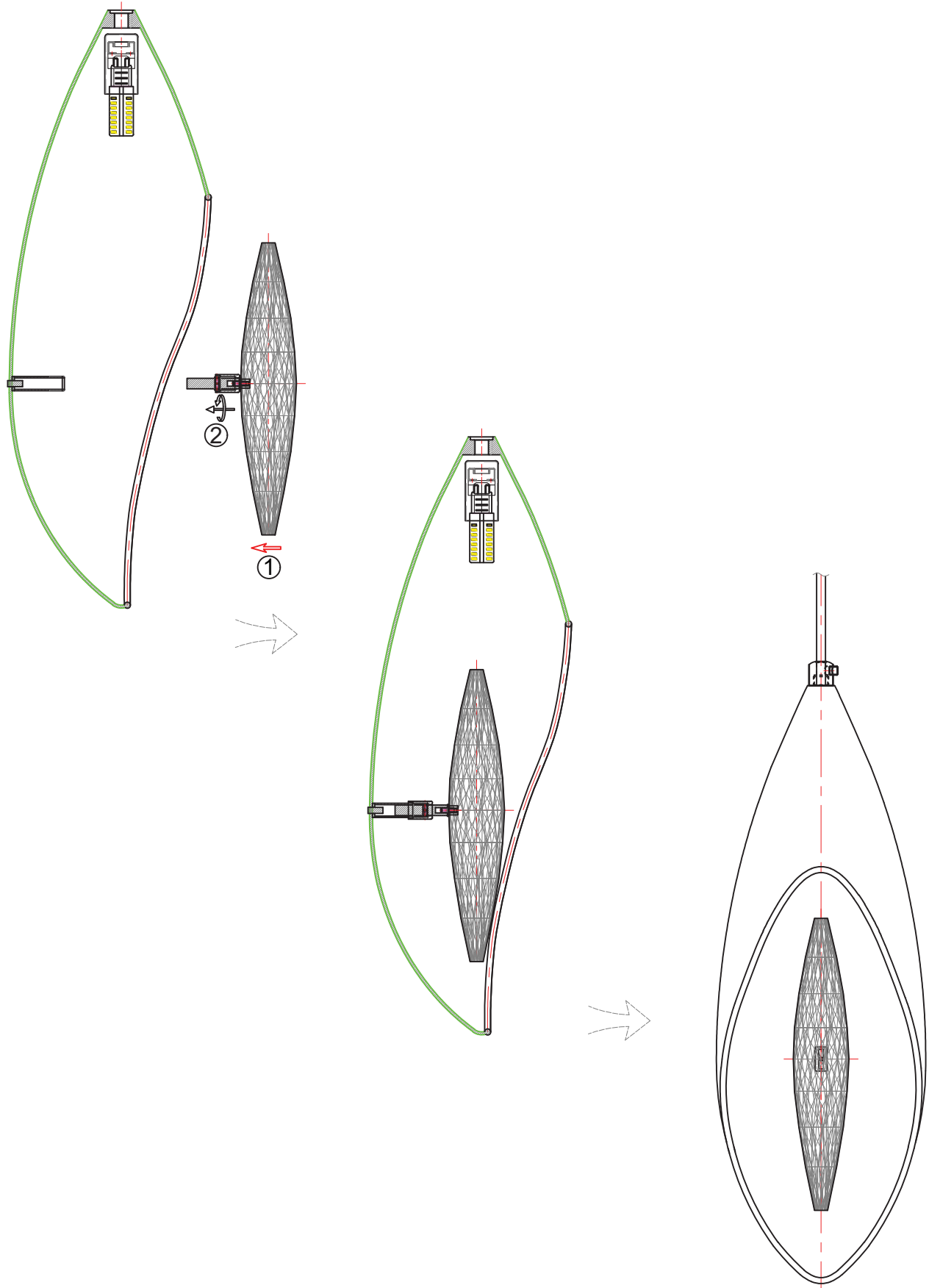
491 NY-208, Monroe,
NY 10950, United States
www.dainte.com

CAUTION: Before wiring to the power supply, turn off the electricity at fuse or circuit breaker box. Ensure grounding to avoid potential electrical shock and to ensure reliable lamp starting.

PRODUCT DIMENSIONS



HOW TO INSTALL CRYSTAL PIECE



INSTALLATION METHOD

1. Unbox all the items carefully.
2. Unscrew two side screws from the brass canopy.
3. Install the wiring to the ceiling, and attach the bracket to the electric box on the ceiling. (A)
4. Attach sconce to the bracket. (B)
5. Install screws from outside the canopy into the bracket. (C)

